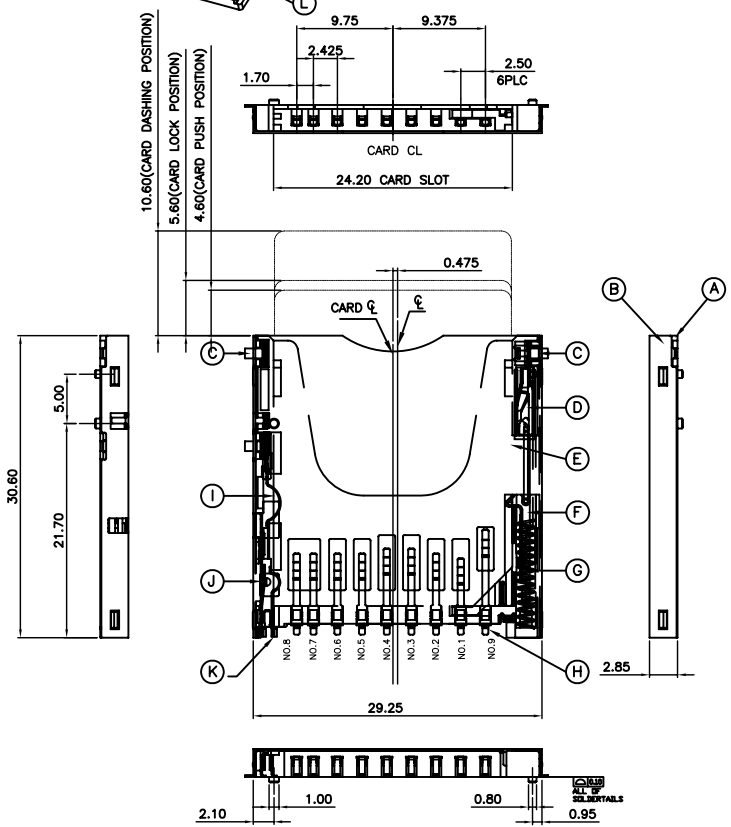


NOTES
 1. SPECIFICATIONS: (OPTION)
 ELECTRICAL:
 RATING CURRENT: 0.5 A
 INSULATION RESISTANCE: 1000M ohms Min. at 100V DC
 CONTACT RESISTANCE: 100m ohms Max.
 WITHSTANDING VOLTAGE: 500V AC
 MECHANICAL:
 CONTACT RETENTION Force: 0.25kgf MIN.
 INSERTION FORCE: 4.2kgf MAX.
 WITHDRAWAL FORCE: 0.21kgf MIN.
 Durability:10,000 times


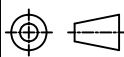
ITEM	PARTS NAME	MATERIAL	FINISH/REMARK
A	HOUSING	LCP	BLACK
B	SHELL	STAINLESS T=0.2	NON-PLATING
C	HOLDDOWN CONTACT	C2680 T=0.20	100u*MIN. TIN PLATING ON SOLDER TAIL AREA 50u*MIN. NICKEL UPDERPLATING OVERALL
D	CAM PIN	STAINLESS Ø0.4	NON-PLATING
E	CARD LOCK	STAINLESS T=0.20	NON-PLATING
F	SLIDER CAM	LCP	BLACK
G	SPRING	SWP Ø0.25	50u*MIN. NICKEL UPDERPLATING OVERALL
H	CONTACT-SD	PHOSHPOR BRONZE T=0.15	5u*MIN. GOLD PLATING ON CONTACT AREA 100u*MIN. TIN PLATING 50u*MIN. NICKEL UPDERPLATING OVERALL
I	PROTECT CONTACT		
J	PROTECT CONTACT AND DETECT CONTACT-SWITCH		
K	DETECT CONTACT		
L	FALSE CARD	LCP	BLACK

- WHEN DELIVERING, THE PSH/PUSH MECHANISM IS IN THE STATE OF THE UNLOCK. (CARD DASHING OUT POSITION)
- CARD READ ONLY BY THE TIME THE CARD DETECTION SWITCH WORKS.
- OPEN AND CLOSE OF EACH SWITCH.

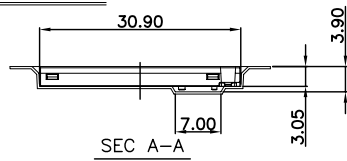
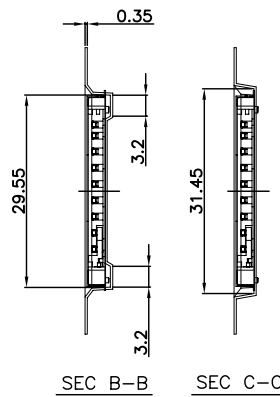
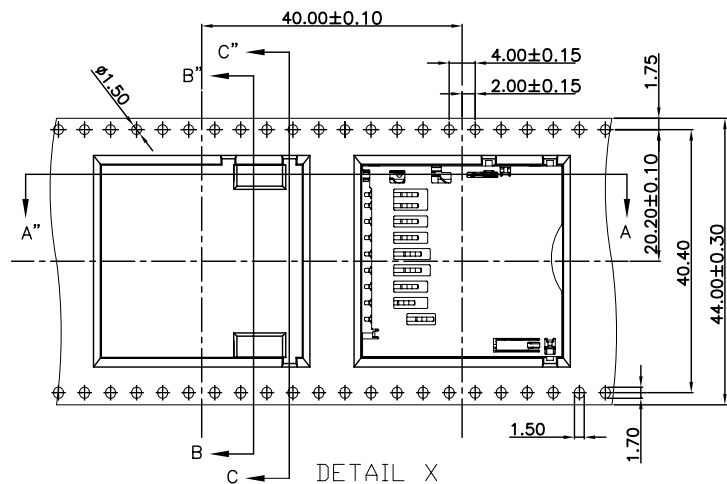
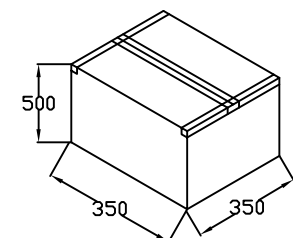
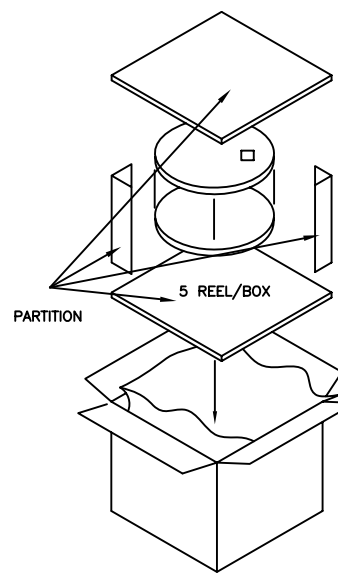
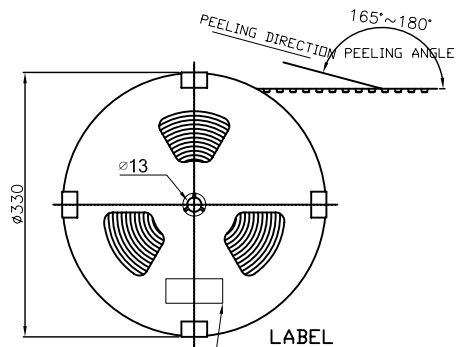
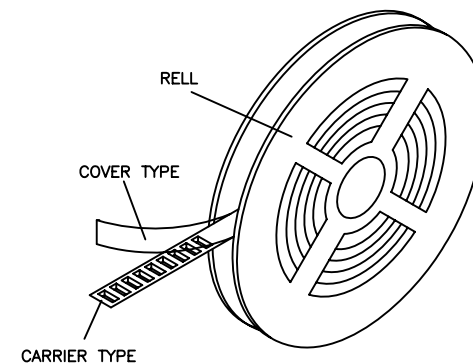
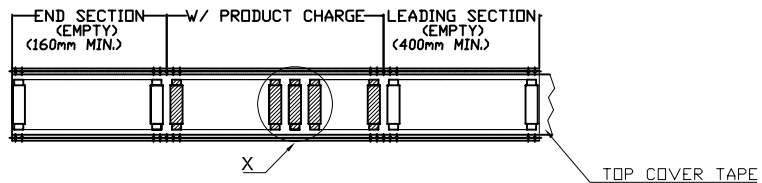
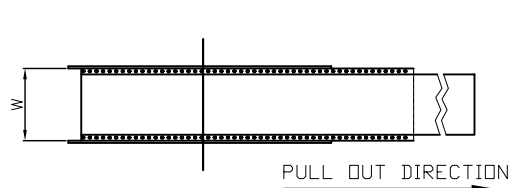
CARD INSERTION STATUS	WRITE PROTECT SWITCH		DETECT SWITCH
	WRITE PROTECT POSITION	WRITE ENABLE POSITION	
CARD UNINSERTION	OPEN	OPEN	OPEN
CARD HALF INSERTION	CLOSE	CLOSE	OPEN
CARD INSERTION	OPEN	CLOSE	CLOSE



RoHS Compliant

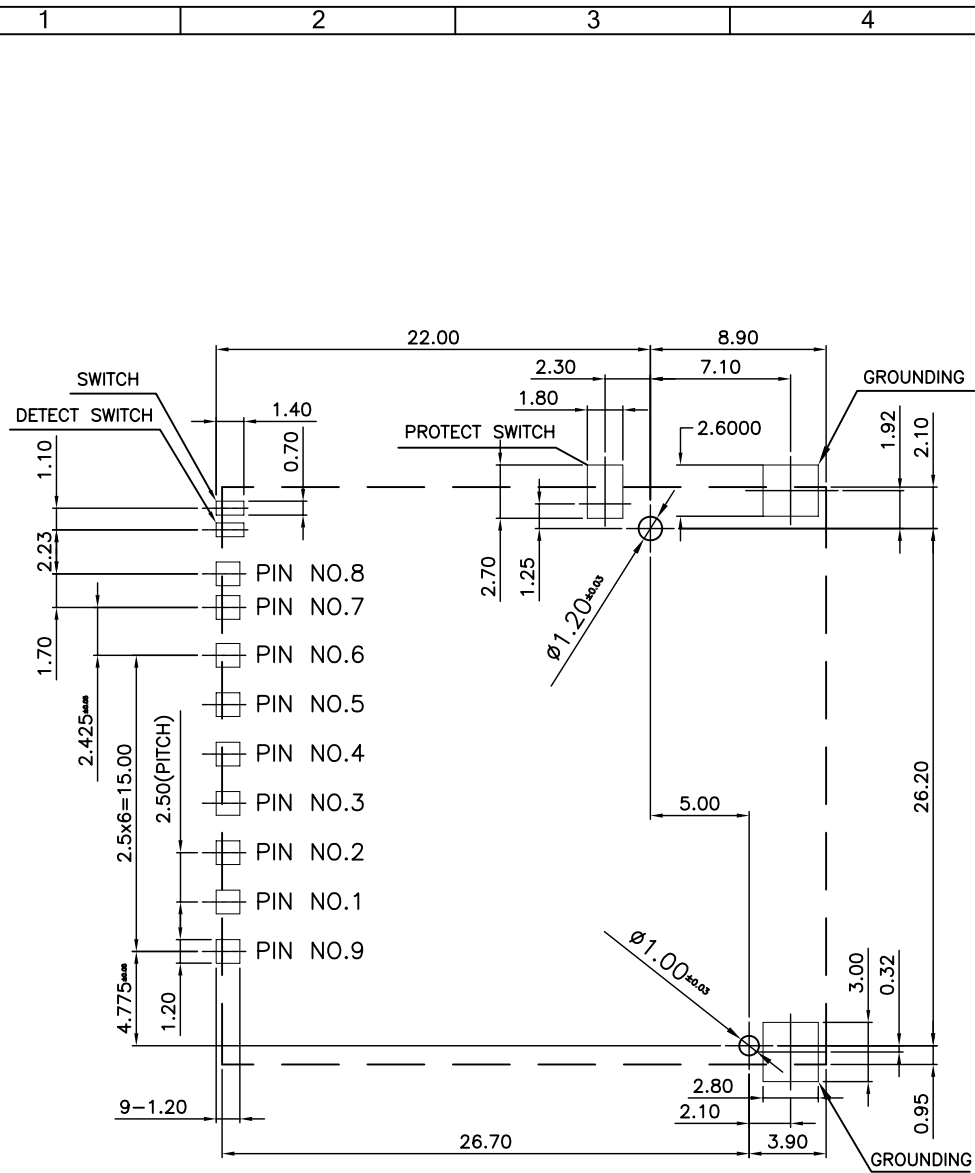
TOLERANCE		 <small>7F, No. 191, Sec. 2 Chung-Yang Rd., Tu-Cheng City, Taichung City, Taipei Hsien, Taiwan</small> A Genesis Electro-Mechanical Company	TITLE: SD CARD REVERSE TYPE WITH PUSH PUSH								
LINEAR	ANGLES		PART NO. SDCR-2209-BK3SR1M								
X. ± 0.50	X° ± 5°		DWG NO. GTI09-25081								
.X ± 0.30	.X° ± 5°		APPD:	MAT'L:	UNITS	SCALE	SHEET	REV			
ISSUED	Vegas	07/04/09	.XX ± 0.20	.XX° ± 5°	CHKD:	FINISH:		MM	NONE	1 OF 3	A
REV.	ECN NO.	NAME	DATE	.XXX ±	.XXX° ±	DRWN: Kathy-Tan		Q'TY:			

A	ISSUED	Vegas	07/04/09
REV.	ECN NO.	NAME	DATE



- NOTES
 1. MATERIAL: PS (Color: black)
 2. DEFORMATION & DAMAGE: NA.
 3. PACKING: 300 PCS/REEL ; 5 PCS REEL/BOX

PART NO.	SDCR-2209-BK3SR1M	SHEET	REV
DWG NO.	GTi09-25081	2 OF 3	SEE SHEET 1



PCB TOLERANCE: ±0.05

PIN DEFINE

PAD NO.	MEMORY CARD
SD-01	SD-CD/DAT3
SD-02	SD-CMD
SD-03	SD-VSS
SD-04	SD-VDD
SD-05	SD-CLK
SD-06	SD-VSS
SD-07	SD-DAT0
SD-08	SD-DAT1
SD-09	SD-DAT2

ORDER INFORMATION

SDCR-22 09 - B K 3 S R 1M

① ② ③ ④ ⑤ ⑥ ⑦ ⑧

1. CONNECTOR:
SDCR: SD CARD R/A CONNECTOR
2. TYPE:
22: REVERSE TYPE WITH PUSH PUSH
3. POSITIONS
09: 9 POSTIONS
4. INSULATOR MATERIAL
B: LCP
5. INSULATOR COLOR
K: BLACK
6. CONTACT PLATING
3: GOLD 5u" PLATING
7. SHIELD PLATING
S: SUS, NONE-PLATING
8. PACKING
R: TAP REEL PACKING

PART NO.	SDCR-2209-BK3SR1M	SHEET	REV
DWG NO.	GTi09-25081	3 OF 3	SEE SHEET 1