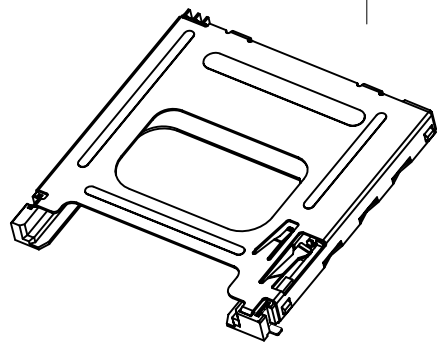
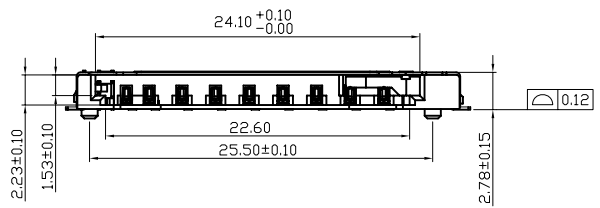



- NOTES:
- DIMENSION SHALL BE INTERPRETED PER ANSI Y14.5M-1994
  - MATERIAL:  
HOUSING: LCP, HIGH TEMPERATURE THERMOPLASTIC  
UL 94V-0 , COLOR:BLACK  
CONTACT: COPPER ALLOYS
  - PLATING:  
UNDERPLATE: NICKEL  
CONTACT AREA: GOLD OVER NICKEL  
SOLDER AREA: UNLEAD OVER NICKEL
  - COPLANARITY MUST BE WITHIN 0.10mm
  - HARMFUL MATERIAL SHOULD BE COMPLIANT TO DOC."EI-0005" STANDARDS



RoHS Compliant

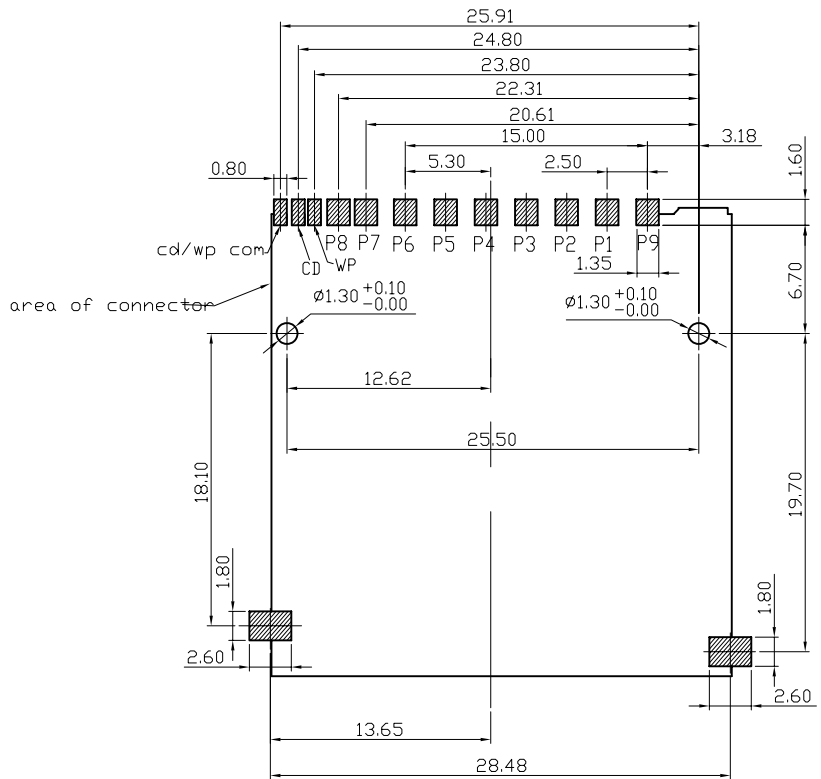
TOLERANCE		 7F, No. 191, Sec. 2 Chung-Yang Rd., Tu-Cheng City, Taippei Hsien, Taiwan A Genesis Electro-Mechanical Company		TITLE: SD CARD PUSH PUSH TYPE			
LINEAR	ANGLES			PART NO. SDCR-2509-BKXSR1P			
X. ± 0.30	X° ± 4°	APPD:	MAT'L:	DWG NO. GTI09-25084			
.X ± 0.25	.X° ± 2°	CHKD:	FINISH:	UNITS SCALE SHEET REV			
.XXX ±	.XXX° ±	DRWN: Kathy-Tan	Q'TY:	MM NONE 1 OF 4 A			

[A]	ISSUED	Vegas	07/08/09
REV.	ECN NO.	NAME	DATE

A  
B  
C  
D  
E

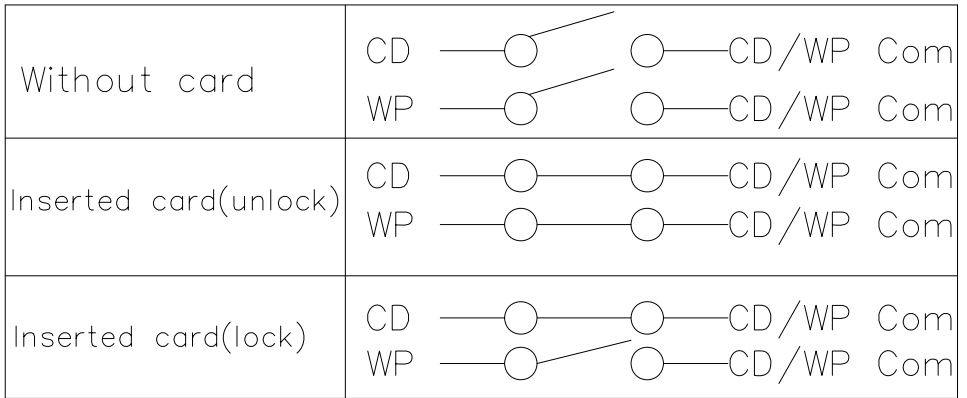
1 2 3 4 5 6 7 8

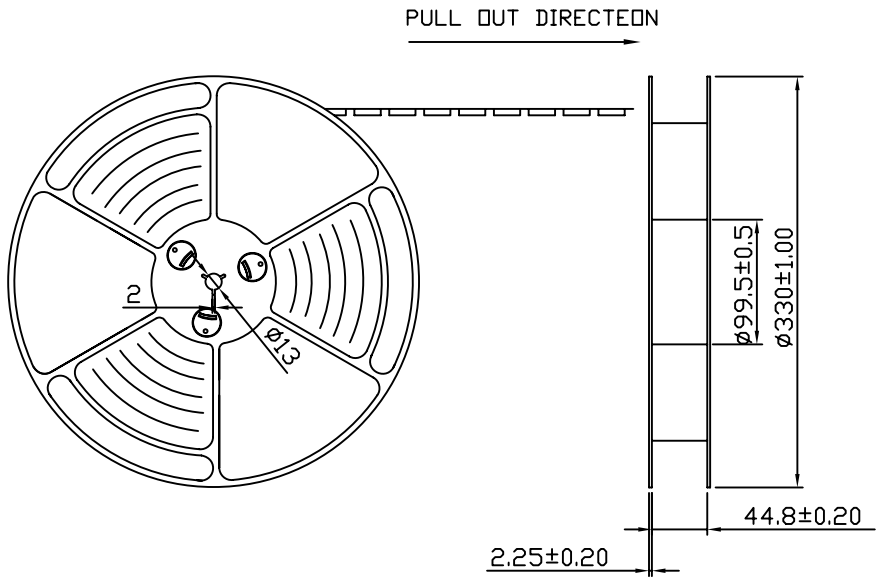
1 2 3 4 5 6 7 8



**RECOMMENDED P.C.B LAYOUT**  
(General tolerance  $\pm 0.05$ )

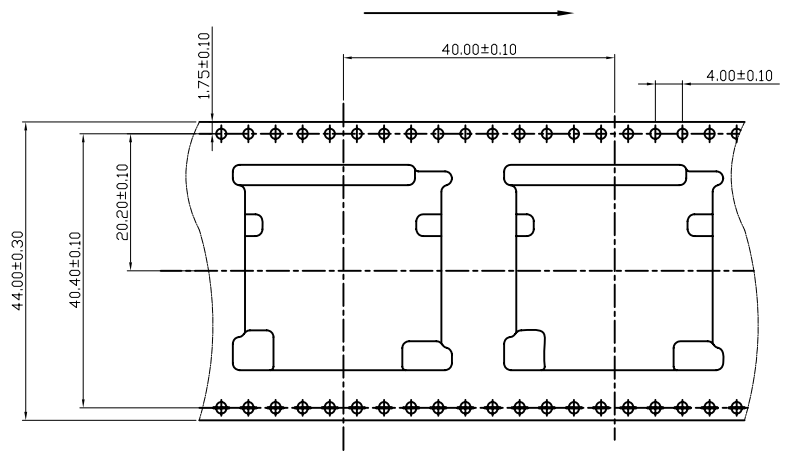
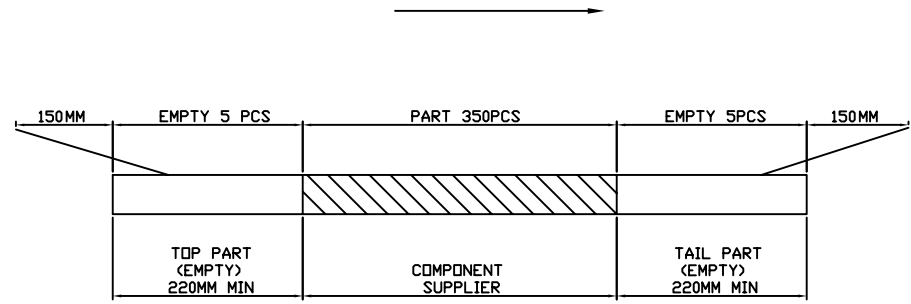
PIN NO.	SD NAME	MMC NAME
P1	CD/DAT3	RSV
P2	CMD	CMD
P3	VSS	VSS
P4	VDD	VDD
P5	CLK	CLK
P6	VSS	VSS
P7	DAT0	DAT
P8	DAT1	
P9	DAT2	



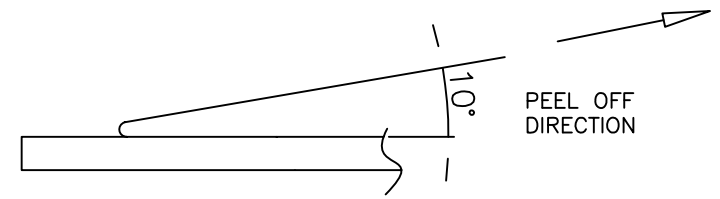


NOTES

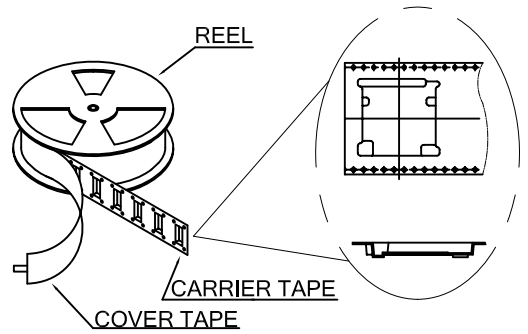
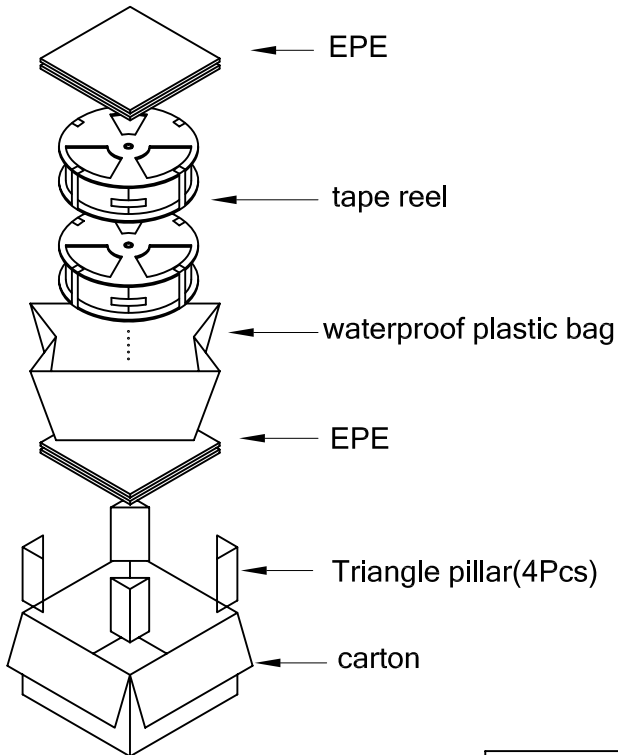
1. NUMBER OF CONNECTORS: 350PCS/REEL  
350X4REEL=1400PCS/CARTON
2. LEAD TAPE LENGTH  
PULL OUT DIRECTEON



3. PEELING OFF FORCE OF TOP TAPE: 0.1~1.3N(10.2gf~130gf)  
THIS REQUIREMENT SHOULD BE APPLIED AT SHIPMENT.  
PEEL OFF SHOULD NOT BE ALLOWED, DURING TRANSPORTATION



PART NO.	SDCR-2509-BKXSR1P	SHEET	REV
DWG NO.	GTi09-25084	3 OF 4	SEE SHEET 1



**NOTE:**

1. EACH CARRIER TAPE ROLL PUT 350 PIECE
2. EVERY RHREE REEL TRAY USE CARTON
3. USE COVER TYPE TO COVER AND HOT MELT MACHIE TO SEAL UP
4. EVERY TWO PEARL COTTON USE ONE CARTON
5. PUT ROLL IN THE CARTON AND USE ADHESIVE TAPE TO SEAL UP

**ORDER INFORMATION**

**SDCR- 25 09 - B K X S R 1P**

① ② ③ ④ ⑤ ⑥ ⑦ ⑧

1. CONNECTOR:  
SDCR: SD CARD R/A CONNECTOR
2. TYPE:  
25: PUSH PUSH TYPE
3. POSITIONS  
09: 9 POSTIONS
4. INSULATOR MATERIAL  
B: LCP
5. INSULATOR COLOR  
K: BLACK
6. CONTACT PLATING  
1: GOLD 1u" PLATING  
2: GOLD 3u" PLATING  
3: GOLD 5u" PLATING  
5: GOLD 15u" PLATING  
6: GOLD 30u" PLATING
7. SHIELD PLATING  
S: SUS, NONE-PLATING
8. PACKING  
R: TAP REEL PACKING

(PRODUCT No.)	PACKING CAPACITY			WEIGHT (Kg)		
	PCS/REEL	REELS/CARTON	PCS/CARTON	N.W./PCS	N.W./BOX	G.W./BOX
SDCR-2509-BKXSR1P	350	4	1400	0.00245	3.43	4.83

PART NO.	SDCR-2509-BKXSR1P	SHEET	REV
DWG NO.	GTi09-25084	4OF 4	SEE SHEET 1