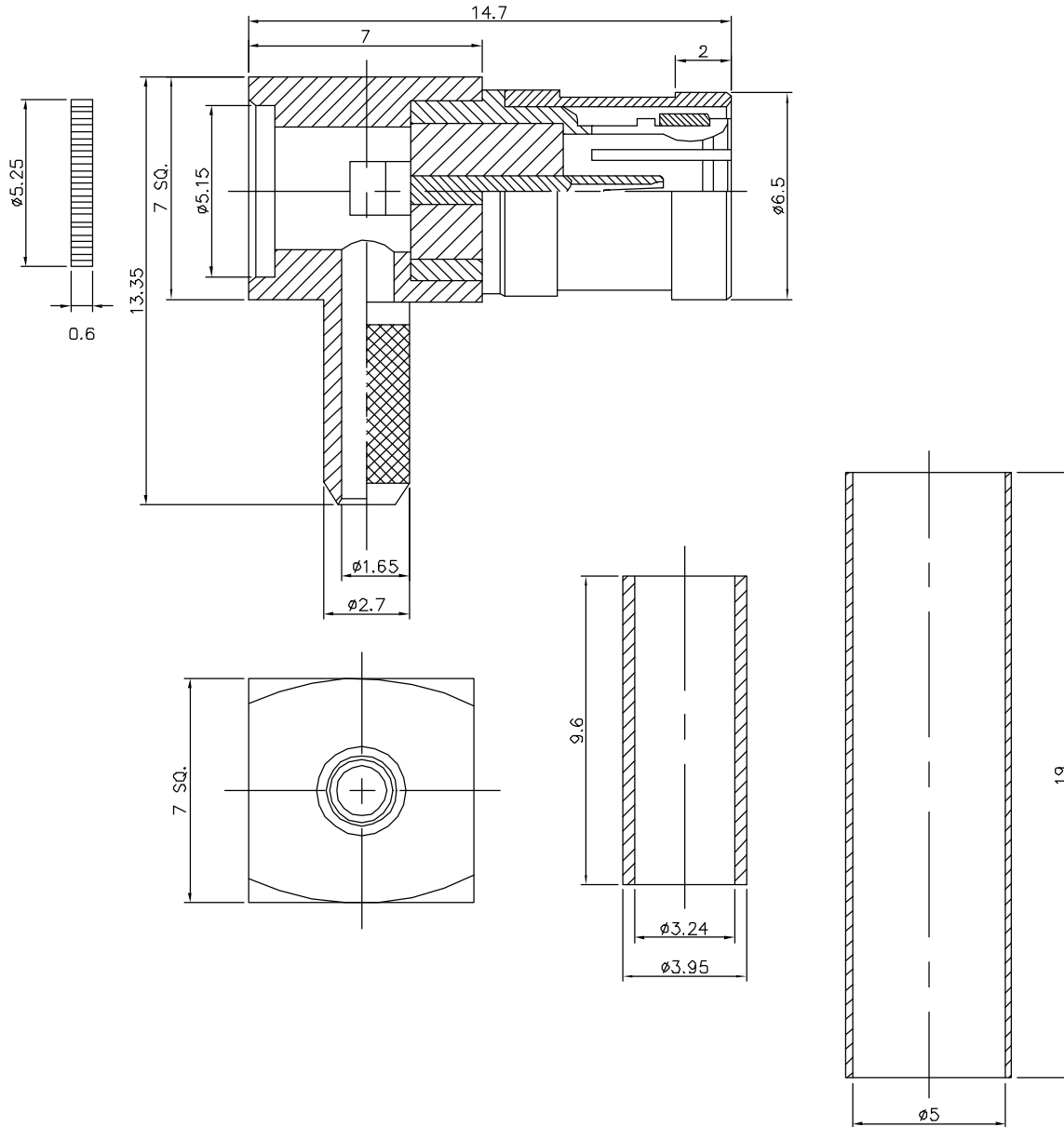


ACAD CODE: SMB-200FRA/179



9	Ø5x0.25 heatshrinktube	1	BLACK IN COLOR	
8	SMB-90-179-S	1	Be Cu	GOLD PLATED
7	SMB-90-179-B-01	1	BRASS	GOLD PLATED
6	SMB-90-179-F	1	BRASS	GOLD PLATED
5	SMB-90-179-PT-01	1	TEFLON	
4	SMB-90-179-PIN-01	1	PHOS. BRONZE	GOLD PLATED 30µ"
3	0601-0004A-RING	1	BRASS	GOLD PLATED
2	SMB-90-179-A-01	1	BRASS	GOLD PLATED
1	SMB-90-179-H	1	BRASS	GOLD PLATED
NO.	DESCRIPTION	Q'TY	MATERIAL	PLATED



NAME	SMB-200FRA/179			
DWG NO				
UNIT	MM	DEFAULT TOLERANCE	DRAW. BY	JACK
SCALE	NONE	.X _____	CHECKED	
SHEET	1/1	.XX _____	APPVL. BY	
		.XXX _____		
		ANGLES _____		

A	ISSUED	7/25/02	JACK	
REV	DESCRIPTION	DATE	NAME	ECN NO.