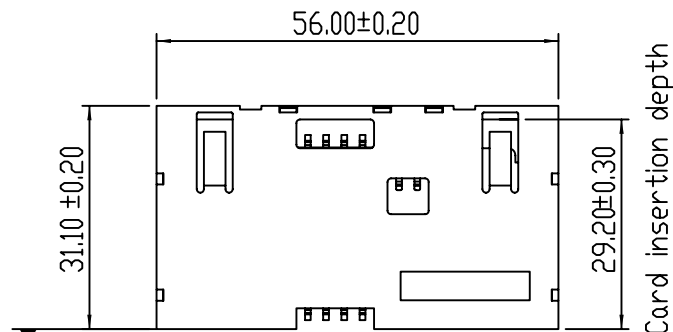
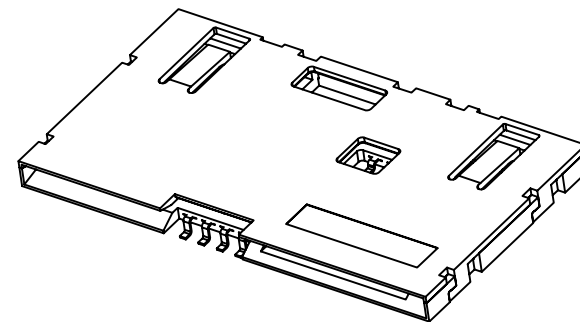


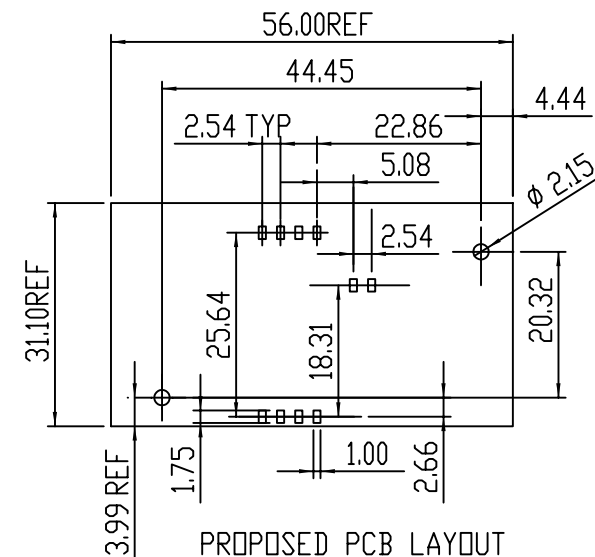
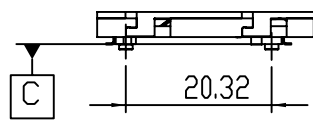
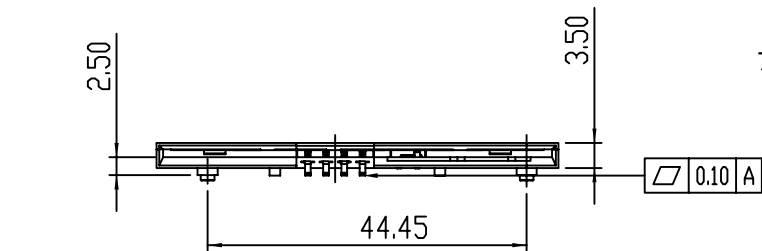
SMCR- 21 08 - X K X 0 T 1

① ② ③ ④ ⑤ ⑥ ⑦

1. CONNECTOR:
SMCR: SMART CARD R/A CONNECTOR
2. TYPE:
21: FEMALE, SMT, W/O SWITCH, HEIGHT 2.5mm
3. POSITIONS
08: 8 POSITIONS
4. INSULATOR MATERIAL
B: LCP
K: PPS
5. INSULATOR COLOR
K: BLACK
6. CONTACT PLATING
1: GOLD FLASH
5: GOLD 15 u"
7. SHIELD PLATING
0: NONE SHIELD



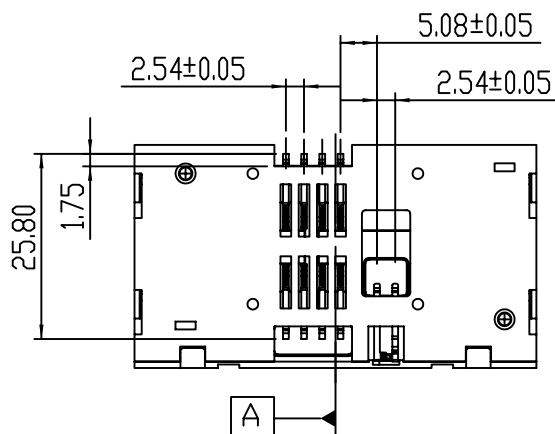
Card insertion depth
29.20±0.30



PROPOSED PCB LAYOUT

NOTES:

1. MATERIAL:
HOUSING: THERMOPLASTIC, COLOR: BLACK.
CONTACT: COPPER ALLOY.
2. FINISH:
CONTACTS: GOLD PLATE ON MATING SURFACE,
TIN ON SOLDER TAIL, ALL OVER NICKEL UNDERPLATE.
3. CARD DETECTION SWITCH NORMALLY OPEN.
4. RoHS COMPLIANT.



TOLERANCE	
LINEAR	ANGLES
X. ±0.30	X° ±
.X ±0.20	.X° ±
[A] ISSUED	AXL 8/22/08
REV ECN NO.	NAME DATE
.XX ±0.10	.XX° ±
.XXX ±0.05	.XXX° ±



TITLE: SMART CARD SMT TYPE HEIGHT 2.5mm			
PART NO.		SMCR-2108-XKX0T1	
DWG NO.		GTI08-30276	
UNITS	SCALE	SHEET	REV
MM	NONE	1 OF 1	A

[A]	ISSUED	AXL	8/22/08
REV	ECN NO.	NAME	DATE

APPD:	MAT'L:
CHKD:	FINISH:
DRWN: AXL	Q'TY:

