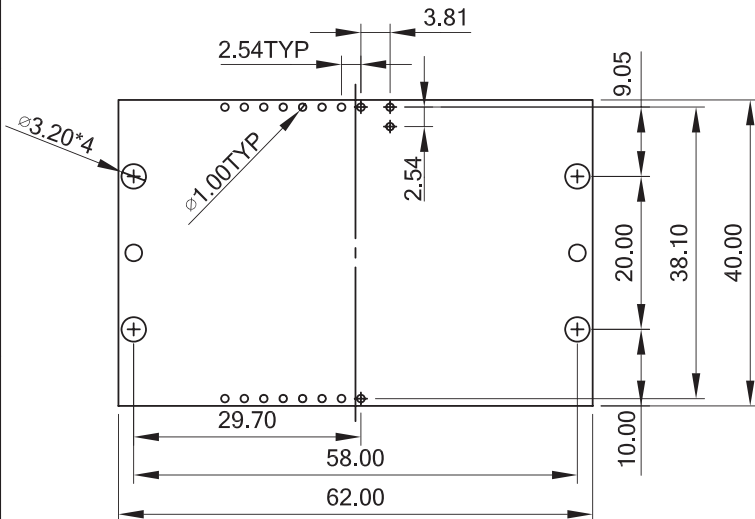
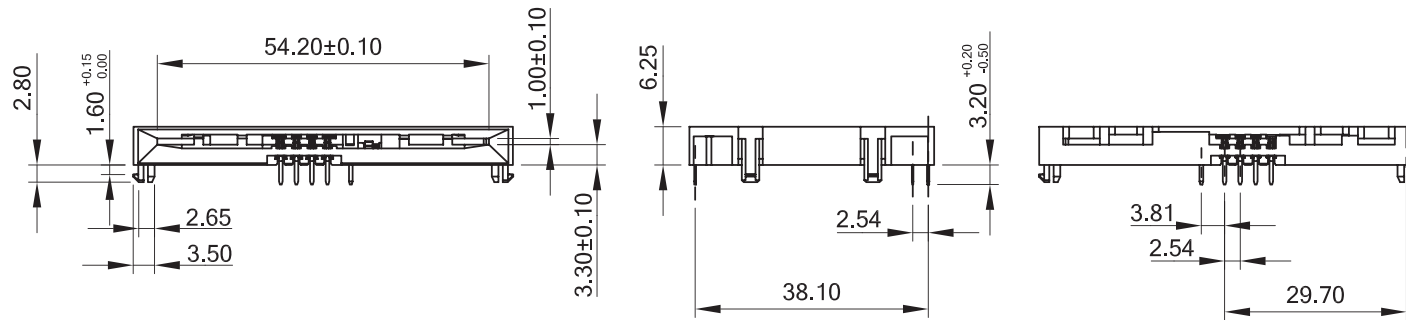


NOTES:

- HOUSING MATERIAL: PBT + 30% G.F UL94 V-0 COLOR: BLACK
- TERMINAL MATERIAL: COPPER ALLOY, THICKNESS =  $0.30 \pm 0.02$   
FINISH: GOLD PLATE ON CONTACT AREA. TIN PLATE ON SOLDER TAIL, NICKEL ON ALL SURFACE.
- GROUND SPRING PIN: COPPER ALLOY, THICKNESS =  $0.25 \pm 0.02$   
FINISH: TIN OR GOLD PLATE ON ALL SURFACE, NICKEL ON ALL SURFACE.
- GROUND PIN: COPPER ALLOY, THICKNESS =  $0.25 \pm 0.02$ mm.
- OPERATING TEMPERATURE:  $-40^{\circ}\text{C} \sim +80^{\circ}\text{C}$ .
- CURRENT RATING: 1 Amp MAX.
- RoHs Compliant



TOLERANCE	
LINEAR	ANGLES
$X. \pm 0.30$	$X^{\circ} \pm 2.00^{\circ}$
$.X \pm 0.20$	$.X^{\circ} \pm 1.00^{\circ}$
$.XX \pm 0.10$	$.XX^{\circ} \pm 0.50^{\circ}$
$.XXX \pm 0.05$	$.XXX^{\circ} \pm 0.10^{\circ}$

**GENESIS**  
TECHNOLOGY, INC  
a Genesis Electro-Mechanical Company

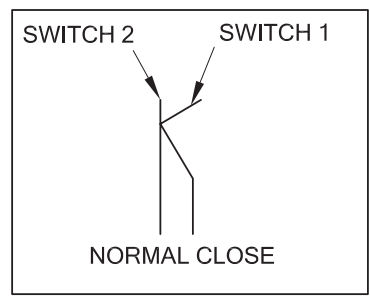
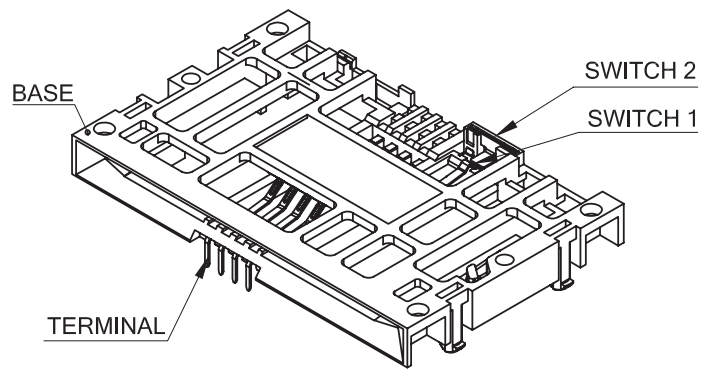
1015 GRANT STREET S.E.  
ATLANTA, GA 30315

TITLE:	SMART CARD CLOSE TYPE
PART NO.	SMCR-2908-AKX0T1
DWG NO.	GTI08-30350

[A]	ISSUED	VEGAS	11/01/08
REV	ECN NO.	NAME	DATE

APPD:	APPROVED By Ad at 11:53 am, 11/2/08	MAT'L:	
CHKD:		FINISH:	
DRWN: FOX		Q'TY:	

UNITS	SCALE	SHEET	REV



**SMCR- 29 08 - A K X 0 T 1**

- ①
- ②
- ③
- ④
- ⑤
- ⑥
- ⑦

- 1. CONNECTOR:  
SMCR: SMART CARD R/A CONNECTOR
- 2. TYPE:  
29: FEMALE, DIP, WITH CLOSE SWITCH TYPE, HEIGHT 3.30mm
- 3. POSITIONS  
08: 8 POSITIONS
- 4. INSULATOR MATERIAL  
A: PBT
- 5. INSULATOR COLOR  
K: BLACK
- 6. CONTACT PLATING  
1: GOLD FLASH(SWITCH PLATED TIN)  
5: GOLD 15 u"(SWITCH PLATED TIN)  
9: GOLD FLASH(SWITCH GOLD FLASH)
- 7. SHIELD PLATING  
0: NONE SHIELD

PART NO.	SMCR-2908-AKX0T1	SHEET	REVISION
DWG NO.	GTI08-30350	2 OF 2	SEE SHEET 1