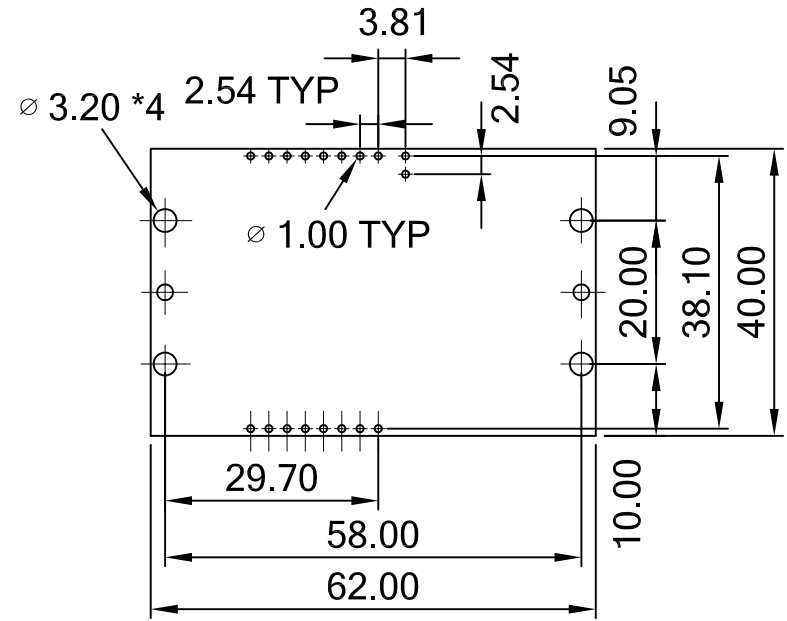
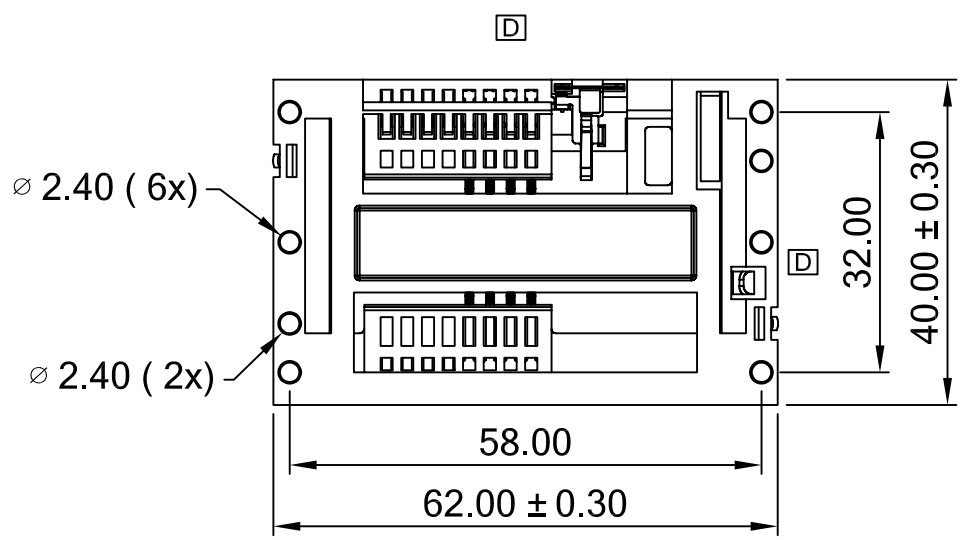
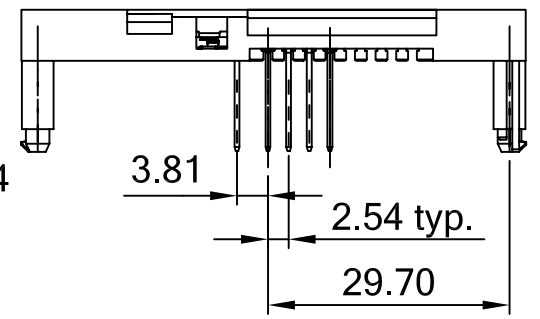
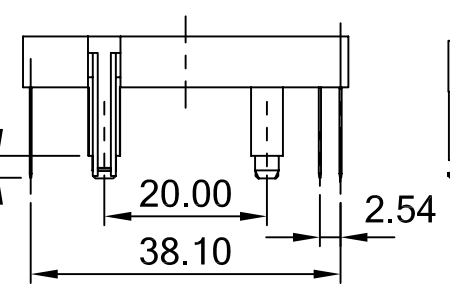
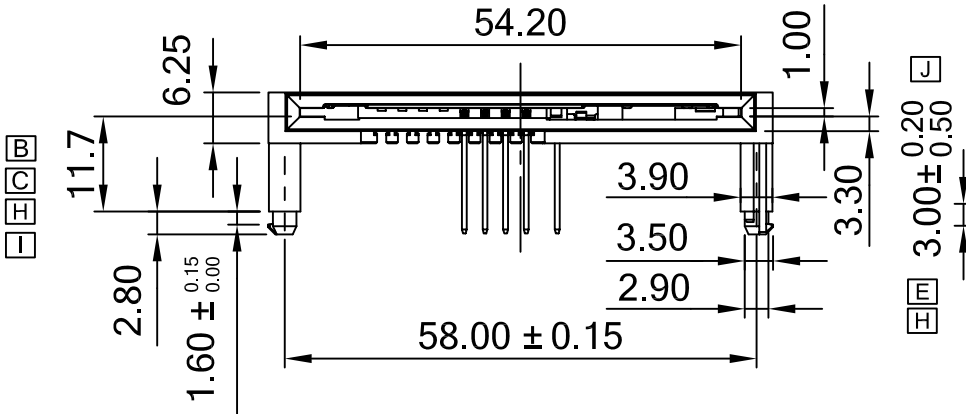


1 2 3 4 5 6 7 8

A B C D E



ALL TOL = 0.05mm  
PCB LAYOUT

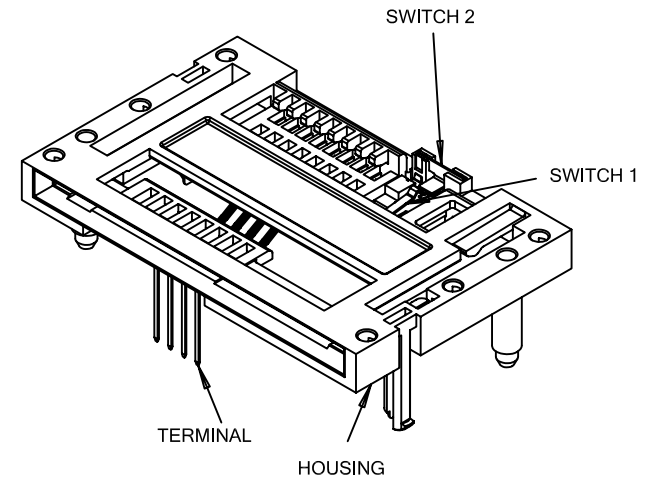
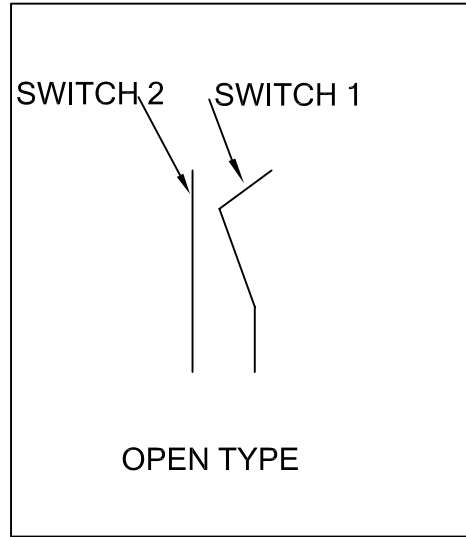
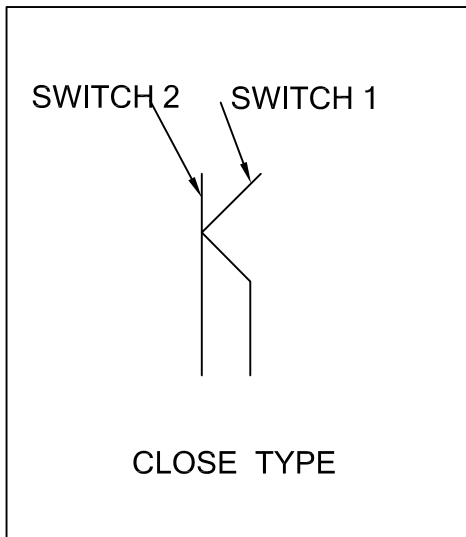


RoHS Compliant

TOLERANCE		GENESIS TECHNOLOGY, INC 1015 GRANT STREET S.E. ATLANTA, GA 30315 a Genesis Electro-Mechanical Company	TITLE: SMART CARD CONNECTOR			
LINEAR	ANGLES		PART NO.	SMCR-2X08-AKX0T1		
X. $\pm 0.30$	X° $\pm$	APPD:	MAT'L:	DWG NO.	SC-10421	
.X $\pm 0.20$	.X° $\pm$	CHKD:	FINISH:	UNITS	SCALE	SHEET
.XX $\pm 0.10$	.XX° $\pm$	DRWN: AXL	Q'TY:			
.XXX $\pm 0.05$	.XXX° $\pm$					REV
						J

<input type="checkbox"/>	SEE SHEET 2		
REV	ECN NO.	NAME	DATE

1 2 3 4 5 6 7 8



NOTES:

- 1.HOUSE MATERIAL:PBT+30 %G.F 94L V-0 COLOR:BLACK.
- F** 2.TERMINAL MATERIAL:COPPER ALLOY,THICKNESS=0.30±0.02.  
FINISH:GOLD PLATE ON CONTACT AREA,TIN PLATE ON SOLDER TAIL,  
NICKEL ON ALL SUPFACE
- 3.GROUND SPRING PIN:COPPER ALLOY,THICKNESS=0.25±0.02.  
FINISH:TIN AND NICKEL PLATE ON ALL SURFACE.
- 4.GROUND PIN:COPPER ALLOY,THICKNESS=0.25±0.02mm.  
FINISH:TIN AND NICKEL PLATE ON ALL SURFACE.
- 5.OPERATING TEMPERATURE:-40° C~+80° C.
- 6.CURRENT RATING:1 Amp MAX.

SMCR- 2X08 - A K X 0 T 1

- ① ② ③ ④ ⑤ ⑥ ⑦

- 1. CONNECTOR:  
SMCR: SMART CARD R/A CONNECTOR
- 2. TYPE:  
23: FEMALE, DIP, WITH CLOSE TYPE SWITCH, HEIGHT 3.3mm  
24: FEMALE, DIP, WITH OPEN TYPE SWITCH, HEIGHT 3.3mm
- 3. POSITIONS  
08: 8 POSITIONS
- 4. INSULATOR MATERIAL  
A: PBT
- 5. INSULATOR COLOR  
K: BLACK
- 6. CONTACT PLATING  
1: GOLD FLASH  
3: GOLD 5 u"  
5: GOLD 15 u"
- 7. SHIELD PLATING  
0: NONE SHIELD

<b>J</b>	ADD TOLERANCE ON PIN LENGTH	AXL	11/10/08'
<b>I</b>	CHANGE THE MEASURED POINT OF 11.7	Kevin	10/29/08'
<b>H</b>	REVISE DIM. WAS 12.21 REVISE DIM. WAS 2.7	Kevin	10/28/08'
<b>G</b>	Part Number Change	AXL	8/26/08'
<b>F</b>	Change term. thickness was 0.25	AXL	7/10/08'
<b>E</b>	CORRECT TERMINAL LENGTH WAS 3.20 mm	AXL	6/27/08'
<b>D</b>	UPDATED DRAWING	AXL	11/3/06'
<b>C</b>	REVISE DIM. WAS 12.19	AXL	8/9/06'
<b>B</b>	REVISE DIM. WAS 11.65	AXL	7/31/06'
<b>A</b>	ISSUED	AXL	7/28/06'
REV	ECN NO.	NAME	DATE

PART NO.	SMCR-2X08-AKX0T1	SHEET
DWG NO.	SC-10421	2 OF 2