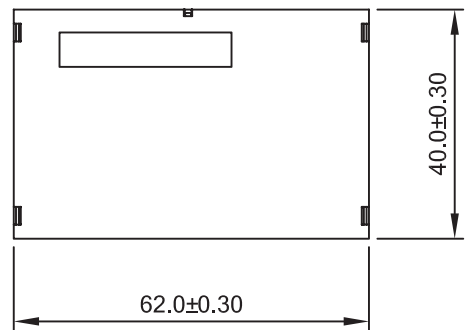


1 2 3 4 5 6 7 8

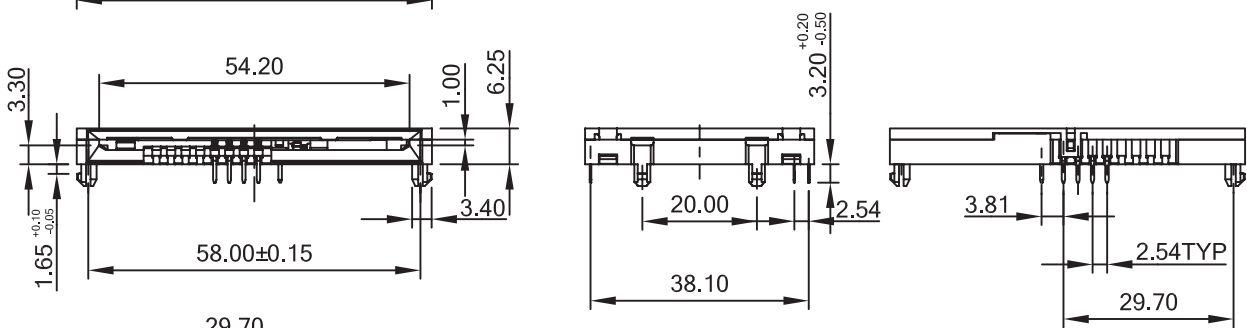
A



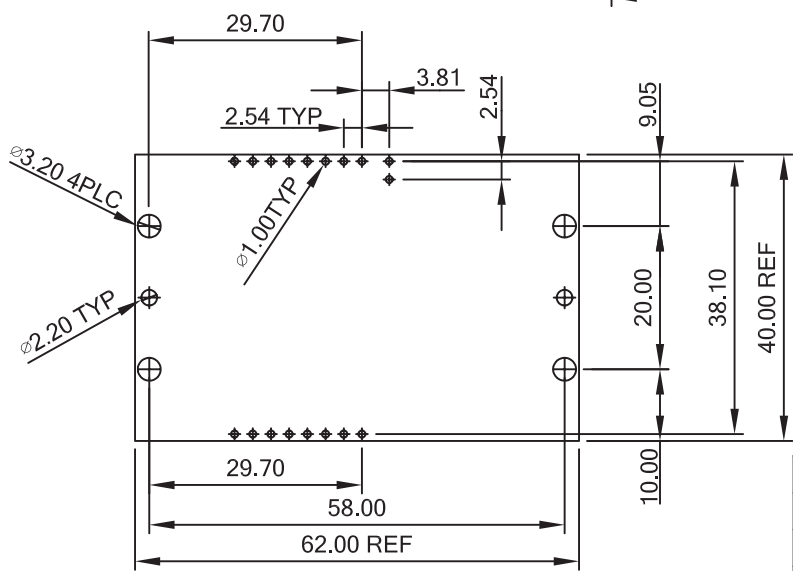
NOTES:

1. BASE AND COVER MATERIAL: PBT + 30% G.F UL94 V-0 COLOR: BLACK.
2. TERMINAL MATERIAL: COPPER ALLOY, THICKNESS =  $0.30 \pm 0.02$   
FINISH: NICKEL ON ALL SURFACE, GOLD PLATE ON CONTACT AREA,  
TIN PLATE ON SOLDER TAIL.
3. SWITCH: COPPER ALLOY, THICKNESS =  $0.25 \pm 0.02$   
FINISH: NICKEL ON ALL SURFACE, TIN PLATE ON ALL SURFACE.
4. RoHs Compliant

B



C



D

E

TOLERANCE	
LINEAR	ANGLES
$X. \pm 0.30$	$X^\circ \pm 2.00^\circ$
$.X \pm 0.20$	$.X^\circ \pm 1.00^\circ$
$.XX \pm 0.10$	$.XX^\circ \pm 0.50^\circ$
$.XXX \pm 0.05$	$.XXX^\circ \pm 0.10^\circ$

**GENESIS**  
TECHNOLOGY, INC  
a Genesis Electro-Mechanical Company

1015 GRANT STREET S.E.  
ATLANTA, GA 30315

TITLE: SMART CARD WITH COVER CLOSE TYPE

PART NO. SMCR-4008-AKX0T1

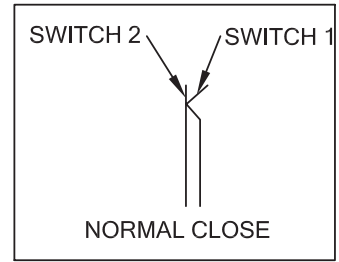
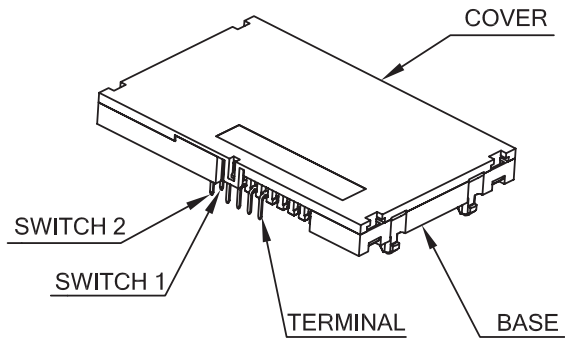
DWG NO. GTI08-30351

[A]	ISSUED	VEGAS	11/01/08
REV	ECN NO.	NAME	DATE

APPD: APPROVED By: Axl on 12-18 pm, 11/2/08	MAT'L:
CHKD:	FINISH:
DRWN: FOX	Q'TY:

UNITS	SCALE	SHEET	REV

1 2 3 4 5 6 7 8



SMCR- 40 08 - A K X 0 T 1

① ②③ ④⑤⑥⑦

- 1. CONNECTOR:  
SMCR: SMART CARD R/A CONNECTOR
- 2. TYPE:  
40: FEMALE, DIP, WITH CLOSE SWITCH TYPE,  
WITH COVER, HEIGHT 3.30mm
- 3. POSITIONS  
08: 8 POSITIONS
- 4. INSULATOR MATERIAL  
A: PBT
- 5. INSULATOR COLOR  
K: BLACK
- 6. CONTACT PLATING  
1: GOLD FLASH(SWITCH PLATED TIN)  
5: GOLD 15 u"(SWITCH PLATED TIN)  
9: GOLD FLASH(SWITCH GOLD FLASH)
- 7. SHIELD PLATING  
0: NONE SHIELD

PART NO.	SMCR-4008-AKX0T1	SHEET	REVISION
DWG NO.	GTI08-30351	2 OF 2	SEE SHEET 1