
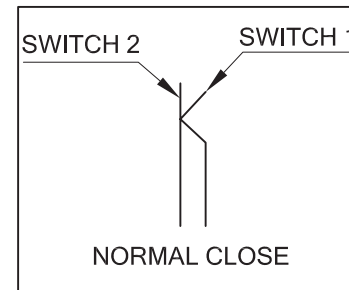
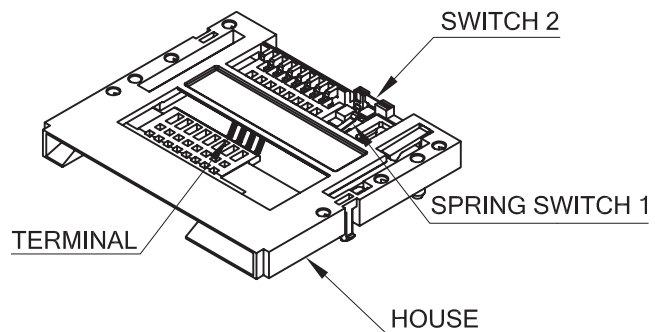


NOTES:

- HOUSING MATERIAL: PBT+ 30% G.F UL94 V-0 COLOR: BLACK.
- TERMINAL MATERIAL: COPPER ALLOY, THICKNESS =  $0.30 \pm 0.02$ .  
FINISH: GOLD PLATED ON CONTACT AREA, TIN PLATED ON SOLDER NICKEL ON ALL SURFACE.
- GROUND SPRING PIN: COPPER ALLOY, THICKNESS =  $0.25 \pm 0.02$ .  
FINISH: TIN OR GOLD PLATED ON SURFACE, NICKEL ON ALL SURFACE.
- GROUND PIN: COPPER ALLOY, THICKNESS =  $0.25 \pm 0.02$ mm.  
FINISH: TIN PLATED ON SURFACE, NICKEL ON ALL SURFACE.
- OPERATING TEMPERATURE:  $-40^{\circ}\text{C} \sim +80^{\circ}\text{C}$ .
- CURRENT RATING: 1 Amp MAX.
- RoHS Compliant.

TOLERANCE		 <small>1015 GRANT STREET S.E. ATLANTA, GA 30315</small> <small>a Genesis Electro-Mechanical Company</small>	TITLE: SMART CARD CLOSE TYPE			
LINEAR	ANGLES		PART NO.	SMCR-4508-AKX0T1		
X. $\pm 0.30$	X° $\pm 2.00^{\circ}$	APPD:	DWG NO. GTI08-30364			
.X $\pm 0.20$	.X° $\pm 1.00^{\circ}$	APPROVED <small>By Aut at 10:06 am, 11/7/08</small>	MAT'L:	UNITS		
.XX $\pm 0.10$	.XX° $\pm 0.50^{\circ}$	CHKD:	FINISH:	MM	SCALE	SHEET
.XXX $\pm 0.05$	.XXX° $\pm 0.10^{\circ}$	DRWN: FOX	Q'TY:	NONE	1 OF 2	REV
						A

A	ISSUED	VEGAS	11/07/08
REV	ECN NO.	NAME	DATE



**SMCR- 45 08 - A K X 0 T 1**

① ② ③ ④ ⑤ ⑥ ⑦

- 1. CONNECTOR:  
SMCR: SMART CARD R/A CONNECTOR
- 2. TYPE:  
45: FEMALE, DIP, WITH CLOSE SWITCH TYPE,  
HEIGHT 3.30mm, LENGTH=55.00mm
- 3. POSITIONS  
08: 8 POSITIONS
- 4. INSULATOR MATERIAL  
A: PBT
- 5. INSULATOR COLOR  
K: BLACK
- 6. CONTACT PLATING  
1: GOLD FLASH(SWITCH PLATED TIN)  
5: GOLD 15 μ"(SWITCH PLATED TIN)  
9: GOLD FLASH(SWITCH GOLD FLASH)
- 7. SHIELD PLATING  
0: NONE SHIELD

PART NO.	SMCR-4508-AKX0T1	SHEET	REVISION
DWG NO.	GTI08-30364	2 OF 2	SEE SHEET 1