

1 2 3 4 5 6 7 8

A

B

C

D

E

A

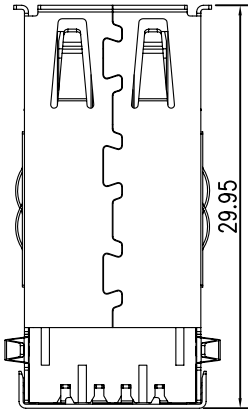
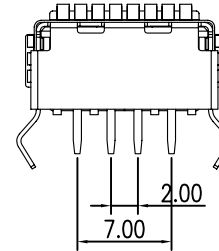
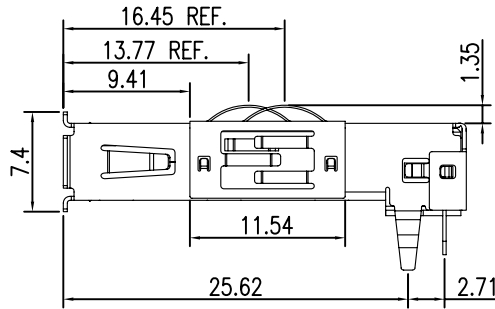
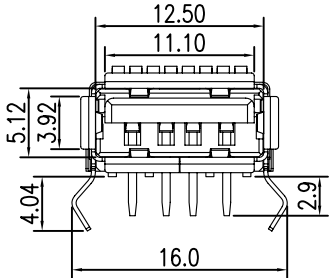
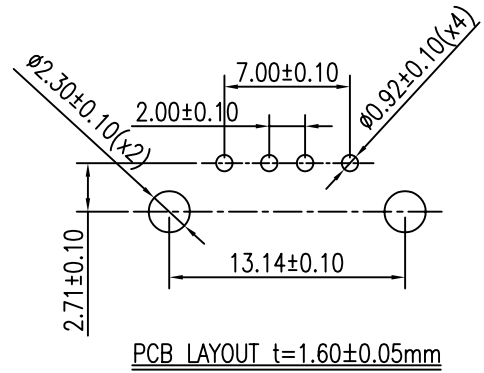
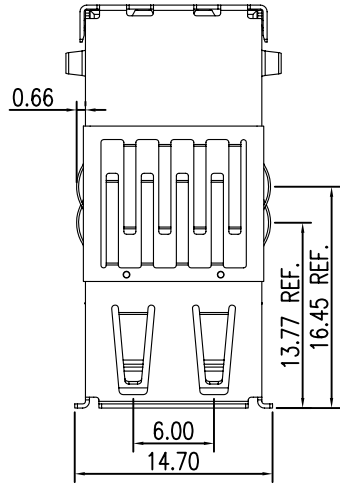
B

C

D

E

2



TOLERANCE	
LINEAR	ANGLES
X. ±	X°±10°

GENESIS TECHNOLOGY, INC
 A Genesis Electro-Mechanical Company
 7F, No. 191, Sec. 2
 Chung-Yang Rd.,
 Tu-Cheng City
 Taipei Hsien, Taiwan

TITLE:	LONG USB A WITH SPRING			
PART NO.	USAR-2604-AKX3T01			
DWG NO.	GTI08-25121			

2	MODIFY DRAWING	Vegas	04/02/09'
1	ISSUED	Vegas	11/08/08'
REV.	ECN NO.	NAME	DATE

.X ±0.38	.X°±5°	APPD:	MAT'L:
.XX ± 0.25	.XX°±2°	CHKD:	FINISH:
.XXX ± 0.13	.XXX°	DRWN: Kathy_Tan	Q'TY:

	UNITS	SCALE	SHEET	REV
	mm	NONE	1 OF 1	2

1 2 3 4 5 6 7 8

2 Notes:

1. Electrical:

- a. Voltage Rating: 30VDC Max. (r.m.s)
- b. Current Rating: 1.5Amperes.
- c. Insulation Resistance: 1000M ohms min.
- d. Dielectric Withstand Voltage: AC 500V/1 minute.
- e. Contact Resistance: 30 m ohms max initial.
- f. Contact Capacitance: 2pf max per unmated contact.

2. Mechanical:

a. Material:

- Contacts: Phosphor Bronze C5191-H.
- Housing/Flammability Rating: PBT + 30% G/F, UL 94V-0.
- Clip: Stainless SUS

b. Plating:

- Contacts: Gold plated Optional (see order information).
- 80u" TIN MIN. Plated at solder side, 30u" nickel underplated overall.
- Tab: None plated

c. Durability: 1,500 Cycles.

d. Mating force: 35N Max.

Unmating force: 10N Min.

e. Coplanarity of SMT Leads: Not Applicable.

f. Solderability: More than 95% of solderable area shall be covered with solder after 5~10 seconds flux(No clean flux)deep.

g. Soldering Profile: 260°C±5°C for 5~10 seconds without remarkable deterioration.

3. Environmental:

a. Operating/Storage Temperature: -40°C to +85°C.

b. Temperature Life: A temperature of 60±5°C for 96hours.

c. Salt Spray test shall be tested per ASTM 117 for 4 hours.

d. Steady State Humidity: 90%~95% humidity on 40±3°C for 96hours.

e. Thermal Shock: 10 cycles of -55±5°C to 85±5°C.

f. Shock: No discontinuities of 1 us or longer duration when mated connectors are subjected to 11 ms duration 30 Gs half-sine shock pulses. Three shocks in each direction applied along three mutually perpendicular planes for a total of 18 shocks.

g. Vibration: No discontinuities of 1us of longer duration when mated conn. are subjected to 5.35Gs RMS. 15min. in each of three mutually perpendicular planes.

h. After environmental test, connector contact resistance should not increase 20m ohms max. and meet IR and DWV as initial.

4. Compliance:

- a. Standard: USB version 2.0 specification with 30u" Gold Plating.
- b. RoHS Compliance.

2 ORDER INFORMATION

USAR - 26 04 - A K X 3 T 01

① ② ③ ④ ⑤ ⑥ ⑦

1. CONNECTOR:

USAR: USB A TYPE R/A CONNECTOR

2. TYPE:

26: FEMALE, DIP TYPE , LONG SHIELD

3. POSITIONS

04: 4 POSITIONS

4. INSULATOR MATERIAL

A: PBT

5. INSULATOR COLOR

K: BLACK

6. CONTACT PLATING

1: GOLD FLASH 1u"

5: 15u" GOLD

6: 30u" GOLD

7. SHIELD PLATING

3: NICKEL PLATING

SHEET	REVISION
2 OF 2	SEE SHEET 1