

NOTES:

MATERIAL:

See drawing

STANDARD DATA

Rating current: 0.8A

Applicable wire: AWG#26 Max.

Operating temperature: -30°C ~ 60°C

Storage temperature: -40°C ~ +85°C

ELECTRICAL

Insulator resistance: 1000 Mohms Min. @ 500 VDC

Withstanding voltage: 500 VAC /minute

Contact resistance: 30 mohms Max.

MECHANICAL

Mating force: 35N(3.45kgf) Max.

Unmating force: (Without lock): 10N(0.98kgf) Min.

Durability: 1500 cycles Min.

Contact retention force: 4.2N(0.43kgf) Min

ORDER INFORMATION

USAR- 27 04 - B K 1 3 T 1M

① ② ③ ④ ⑤ ⑥ ⑦

1. CONNECTOR:

USAR: USB A TYPE R/A CONNECTOR

2. TYPE:

27: FEMALE, STRIGHT

3. POSITIONS

04: 4 POSITIONS

4. INSULATOR MATERIAL

B: LCP

5. INSULATOR COLOR

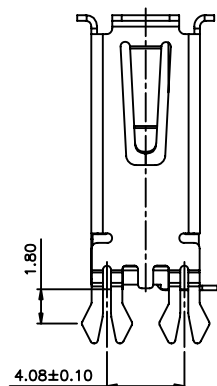
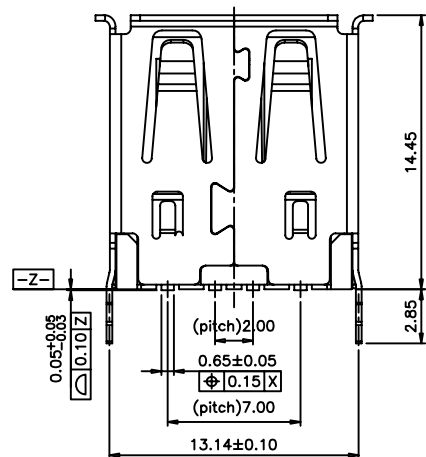
K: BLACK

6. CONTACT PLATING

1: GOLD FLASH

7. SHIELD PLATING

3: NICKEL PLATING



ITEM	PARTS NAME	Q'TY	MATERIAL	FINISH/REMARK
1	HOUSING	1	LCP	UL-94V-0 (Black)
2	SHELL	1	Copper	Ni:50u"
3	CONTACT	4	Copper	Gold flash; Ni:50u"; Tin:150u"
4				
5				

RoHS Compliant

TOLERANCE

LINEAR ANGLES

X. ±0.50 X° ± 5°00'



TITLE:

USB A FEMALE SMT TYPE

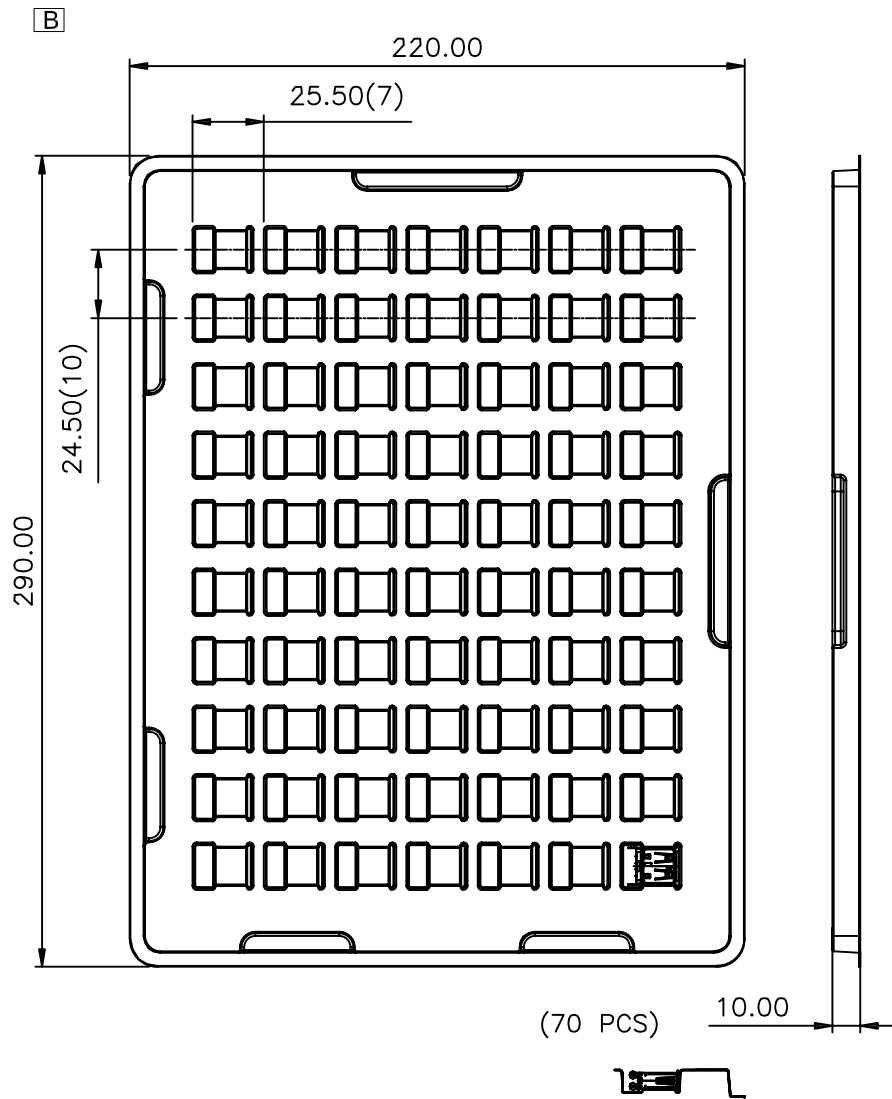
PART NO.

USAR-2704-BK13T1M

DWG NO.

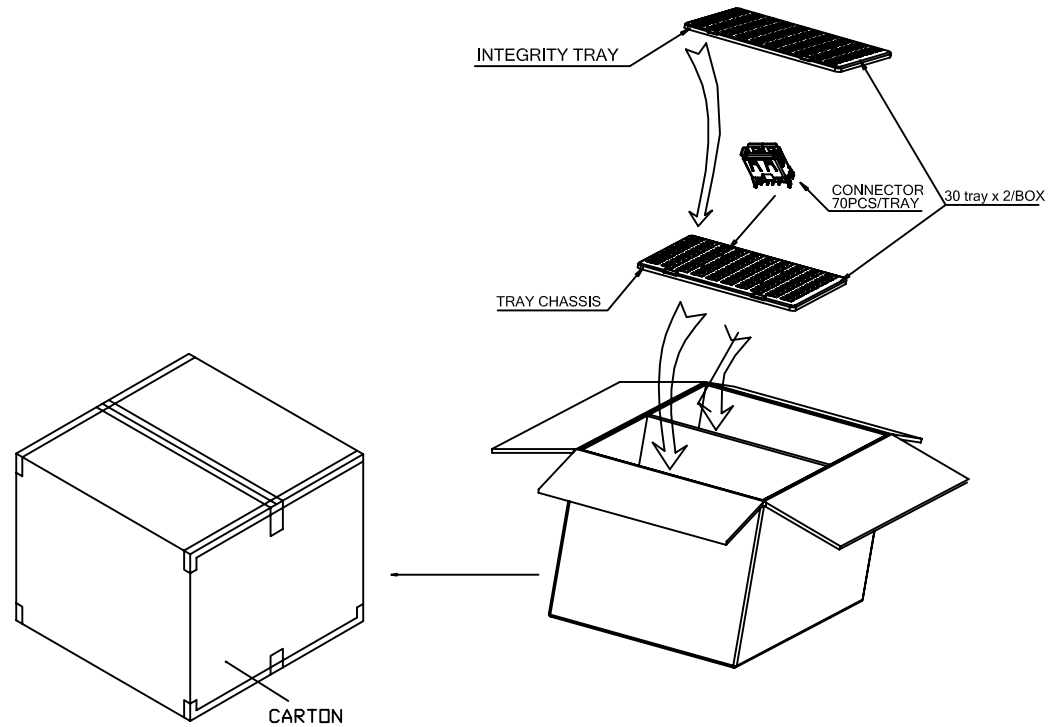
GT109-25064

[B]	ADD PACKING	Vegas	06/05/09'	.X ±0.30	.X° ± 5°00'	APPD:	MAT'L:	UNITS	SCALE	SHEET	REV
[A]	ISSUED	Vegas	05/27/09'	.XX ±0.20	.XX° ± 5°00'	CHKD:	FINISH:				
REV.	ECN NO.	NAME	DATE	.XXX ±	.XXX° ±	DRWN: Kathy-Tan	Q'TY:	MM	NONE	1 OF 1	B



NOTE:

1. MATERIAL:  
TRAY: PS.  
CARRIER: PS.
2. QUANTITY:  
70 PCS/TRAY  
60 TRAY/SHIPPING CARTON
3. PEELING RESISTANCE: 20g TO 130g.
4. TOTLE:4200 PCS/CARTON



<b>B</b>	PART NO.	USAR-2704-BK13T1M	SHEET
	DWG NO.	GTI09-25064	2 OF 2