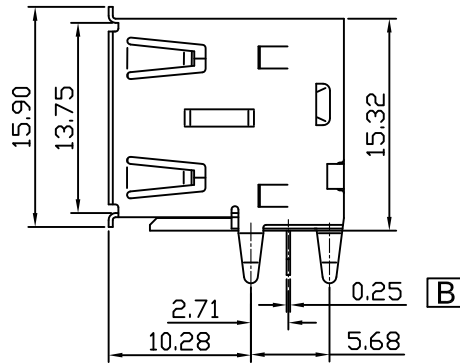
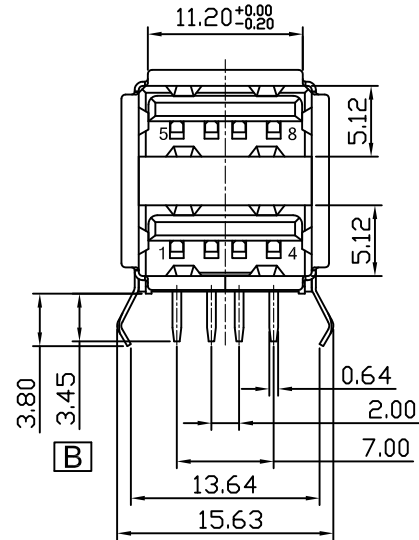


P.C.B LAYOUT(TOL:±0.05)
TOP VIEW



NOTES:

***Electrical Characteristics:**

Contact Current Rating: 1.5 Amperes.
Dielectric Withstanding Voltage: AC 500V r.m.s.
Insulation Resistance: 1000MΩ Min.
Contact Resistance: 30mΩ Min.

***Environmental:**

Operating Temperature: -30°~+85°.

***Mechanical Characteristics:**

Contact Insertion Force: 3.57kg Max.
Contact Separation Force: 1.02kg Min.

***Material:**

Housing: Thermoplastic UL94V-0, See order information.
Contact: Copper Alloy (t=0.25mm).
Front Shell: Copper Alloy (t=0.30mm).
Back Shell: Steel (t=0.30mm).
Tongue Shell: Copper Alloy (t=0.30mm).

RoHS Compliant

ORDER INFORMATION

USAR-29 04 - X X X 3 T 1C

① ② ③ ④ ⑤ ⑥ ⑦

1. CONNECTOR:

USAR: USB A TYPE R/A CONNECTOR

2. TYPE:

29: FEMALE, DUAL PORT

3. POSITIONS

04: 4 POSTIONS

4. INSULATOR MATERIAL

A: PBT

E: NY6T

F: NY9T

5. INSULATOR COLOR

K: BLACK

W: WHITE

6. CONTACT PLATING

1: GOLD 1u"

2: GOLD 3u"

3: GOLD 5u"

5: GOLD 15u"

6: GOLD 30u"

7. SHIELD PLATING

3: NICKEL PLATING

TOLERANCE

LINEAR ANGLES

X. ± 0.50 X° ± 3°



TITLE: USB A TYPE DUAL PORT

PART NO. USAR-2904-XXX3T1C

[B]	REVISED 2 DIMENSIONS	Jeff	04/22/11'	.X ± 0.38	.X° ± 3°	APPD:	MAT'L:	DWG NO.	GTI09-25087		
[A]	ISSUED	Vegas	07/20/09'	.XX ± 0.25	.XX° ± 3°	CHKD:	FINISH:	UNITS	SCALE	SHEET	REV
REV.	ECN NO.	NAME	DATE	.XXX ± 0.10	.XXX° ± 3°	DRWN: Kathy-Tan	Q'TY:	MM	NONE	1 OF 1	B