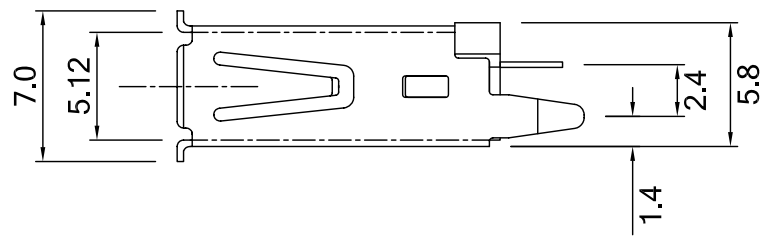
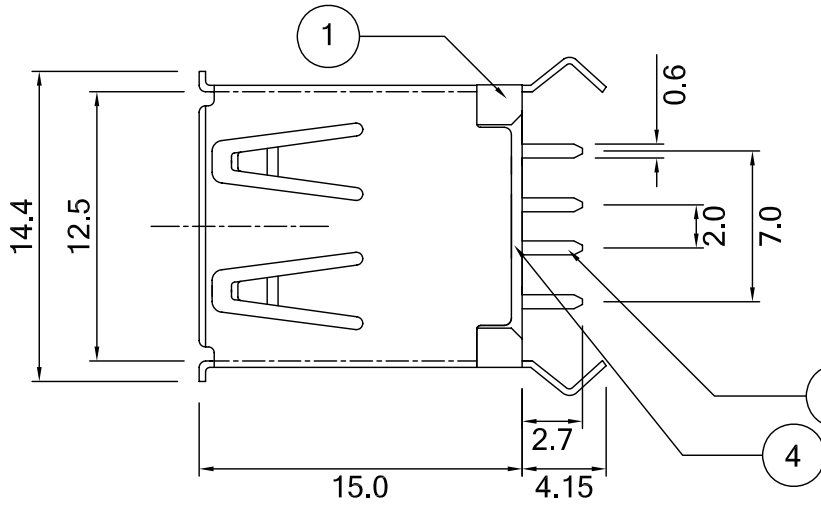
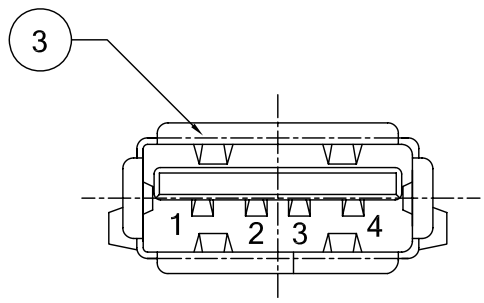


PCB LAYOUT
(BOTTOM VIEW)



NOTE:
 RATING:
 VOLTAGE RATING: 30V AC (rms)
 CURRENT RATING: 1.0A MAX
 ELECTRICAL CHARACTERISTICS:
 CONTACT RESISTANCE: 30 milliohms max
 INSULATION RESISTANCE: 100 megohms min
 D.W.V: 500 V DC/1min.
 TOTAL MATING FORCE: 3.57 kgf max
 TOTAL UNMATING FORCE: 1.0 kgf min
 TEMPERATURE RANGE: -40°C~85°C

B ORDER INFORMATION
 USAV- 20 04 -A K X 3 T 1H
 ① ② ③ ④ ⑤ ⑥ ⑦ ⑧

1. CONNECTOR:
USAV: USB A TYPE VERTICAL CONNECTOR
 2. TYPE:
20: DIP TYPE
 3. POSITIONS:
04: 4 POSITIONS
 4. INSULATOR MATERIAL:
A: PBT
 5. INSULATOR COLOR:
K: BLACK
 6. CONTACT PLATING:
1: GOLD FLASH
2: GOLD 3u"
3: GOLD 5u"
4: GOLD 10u"
5: GOLD 15u"
6: GOLD 30u"
 7. SHIELD PLATING:
3: NICKEL PLATING
 8. PACKING
T: TRAY PACKING
- *RoHS Compliant*

NO.	NAME	MATERIAL	FINISH	REMARK	Q'ty
1	HOUSING	PBT G.F.	BLACK		1
2	PIN TERM.	PHOS. BRONZE T:0.25	GOLD/TIN PLATED	Gold ;Ni:40~60u" ;TIN:120u" (100% pure Tin of lead free plating)	4
3	SHELL	BRASS T:0.3	NICKEL PLATED	B NI:80u"~120u"	1
4	BOTTOM COVER	PBT G.F.	BLACK		1

B TOLERANCE		 <small>1015 GRANT STREET S.E. ATLANTA, GA 30315</small>		TITLE: USB A TYPE FEMALE VERTICAL							
LINEAR	ANGLES			PART NO. B USAV-2004-AKX3T1H							
X. ±	X° ±			DWG NO. SC-10598							
B	CHANGE THE PN & TOLERANCE	VEGAS	4/01/10'	.X ± 0.30	.X° ±	APPD:	MAT'L:	UNITS SCALE SHEET REV			
A	ISSUED	AXL	1/5/07'	.XX ± 0.25	.XX° ±	CHKD:	FINISH:	MM	NONE	1 OF 1	B
REV	ECN NO.	NAME	DATE	.XXX ± 0.10	.XXX° ±	DRWN: AXL	Q'TY:				